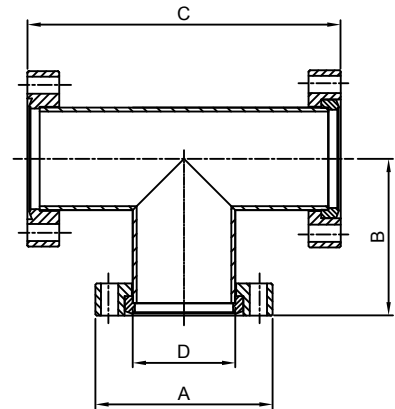


CF TEE WITH 2 ROTATABLE FLANGES

- * MATERIAL: STAINLESS STEEL
- * BAKEABLE UP TO 450°C
- * VACUUM RATING 1×10^{-1} mbar
- * WIDE RANGE OF ELBOWS & CROSSES ARE AVAILABLE

ORDER CODE	MAT'L	NW	A	B	C	D
TE16R	304L	16	34	38	76	19
TE35R	304L	35	70	63	126	38
TE38R	304L	35	70	63	126	41.3
TE63R	304L	63	114	105	210	64
TE100R	304L	100	152	135	270	102
TE150R	304L	150	203	167	334	152
TE200R	304L	200	254	203	406	203



CF TEE UNEQUAL WITH FIXED FLANGES

- * MATERIAL: STAINLESS STEEL
- * BAKEABLE UP TO 450°C
- * VACUUM RATING 1×10^{-1} mbar
- * WIDE RANGE OF ELBOWS & CROSSES ARE AVAILABLE

ORDER CODE	MAT'L	NW	A	B	C	D	BOLT HOLES
UTE3516	304L	35/16	70	34	126	60	IN LINE
UTE6316	304L	63/16	114	34	210	77	IN LINE
UTE6335	304L	63/35	114	70	210	77	IN LINE
UTE1016	304L	100/16	152	34	270	95	IN LINE
UTE1035	304L	100/35	152	70	270	95	IN LINE
UTE1063	304L	100/63	152	114	270	95	IN LINE
UTE1516	304L	150/16	203	34	334	120	IN LINE
UTE1563	304L	150/63	203	114	334	120	IN LINE
UTE1510	304L	150/100	203	152	334	120	IN LINE
UTE2035	304L	200/35	254	70	406	145	IN LINE
UTE2010	304L	200/100	254	152	406	145	IN LINE
UTE2015	304L	200/150	254	203	406	145	IN LINE
UTE3516S	304L	35/16	70	34	126	60	STRADDLED
UTE6316S	304L	63/16	114	34	210	77	STRADDLED
UTE6335S	304L	63/35	114	70	210	77	STRADDLED
UTE1016S	304L	100/16	152	34	270	95	STRADDLED
UTE1035S	304L	100/35	152	70	270	95	STRADDLED
UTE1063S	304L	100/63	152	114	270	95	STRADDLED
UTE1516S	304L	150/16	203	34	334	120	STRADDLED
UTE1563S	304L	150/63	203	114	334	120	STRADDLED
UTE1510S	304L	150/100	203	152	334	120	STRADDLED
UTE2035S	304L	200/35	254	70	406	145	STRADDLED
UTE2010S	304L	200/100	254	152	406	145	STRADDLED
UTE2015S	304L	200/150	254	203	406	145	STRADDLED

