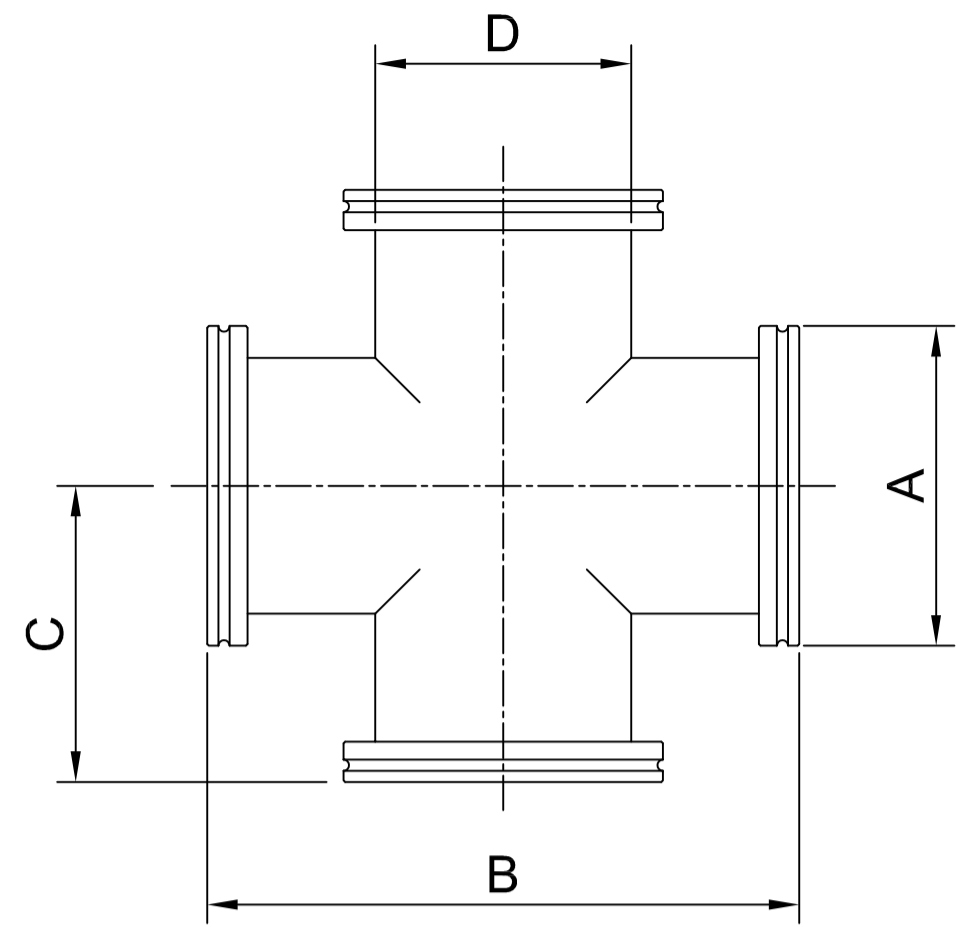


ISO CROSSES 4 WAY

- * MATERIAL: 304L STAINLESS STEEL
- * BAKEABLE TO 150° C
- * VACUUM RATING 1×10^{-8} mbar
- * WIDE RANGE OF ELBOWS, TEES & FLEXIBLE HOSES ARE AVAILABLE

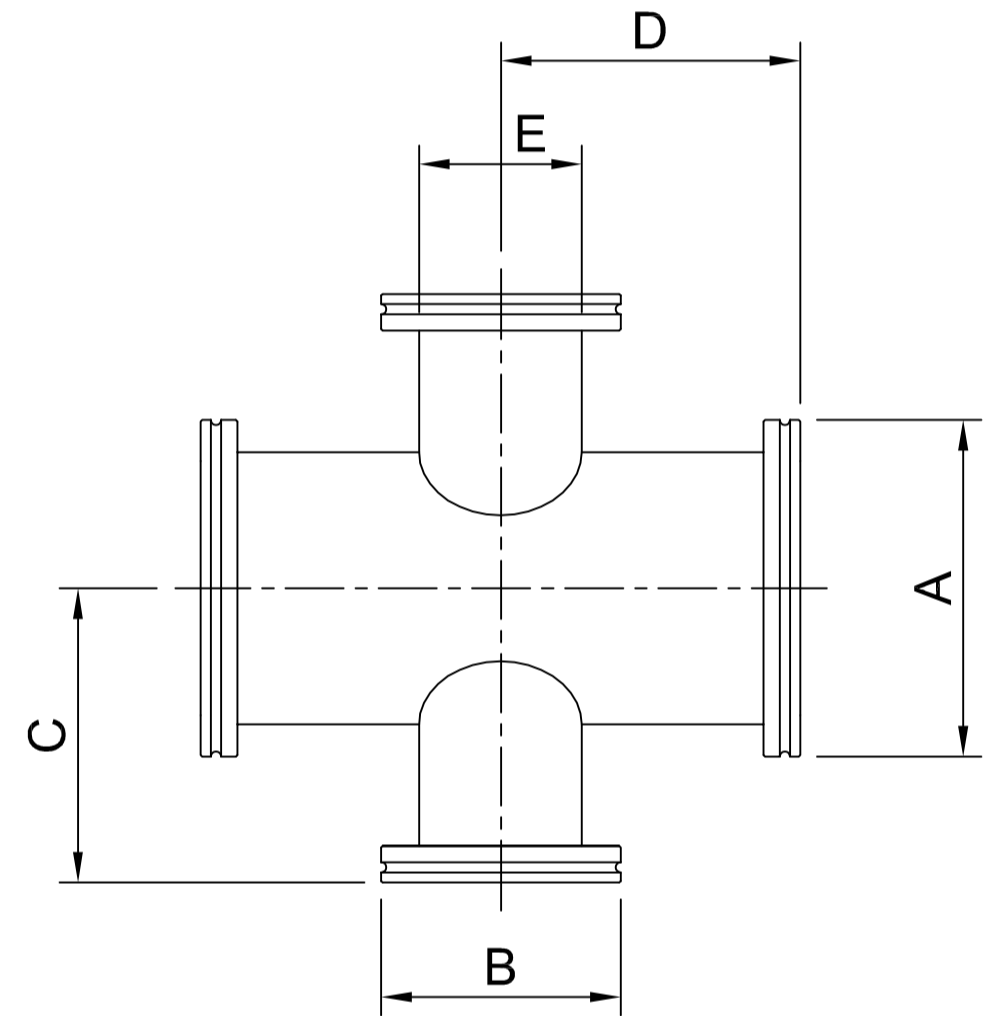
ORDER CODE	NW	A	B	C	D
ISO63X	63	95	176	88	76
ISO80X	80	110	196	98	89
ISO100X	100	130	216	108	108
ISO160X	160	180	276	138	159
ISO200X	200	240	356	178	219
ISO250X	250	290	416	208	267



ISO CROSSES 4 WAY REDUCING

- * MATERIAL: 304L STAINLESS STEEL
- * BAKEABLE TO 150° C
- * VACUUM RATING 1×10^{-8} mbar
- * WIDE RANGE OF ELBOWS, TEES, ADAPTORS & FLEXIBLE HOSES ARE AVAILABLE

ORDER CODE	NW	A	B	C	D	E
ISO80X63	80/63	110	95	95	98	89
ISO100X63	100/63	130	95	107	108	108
ISO100X80	100/80	130	110	111	108	108
ISO160X63	160/63	180	95	130	138	159
ISO160X80	160/80	180	110	134	138	159
ISO160X100	160/100	180	130	131	138	159
ISO200X160	200/160	240	180	168	178	219



ISO TO KF CROSSES REDUCING

- * MATERIAL: 304L STAINLESS STEEL
- * BAKEABLE TO 150° C
- * VACUUM RATING 1×10^{-8} mbar
- * WIDE RANGE OF ELBOWS, TEES & FLEXIBLE HOSES ARE AVAILABLE

ORDER CODE	NW	A	B	C	D
ISO63X16	63/16	95	30	102	58
ISO63X25	63/25	95	40	102	79
ISO63X40	63/40	95	55	102	76
ISO63X50	63/50	95	75	102	92
ISO100X25	100/25	130	40	130	98
ISO100X40	100/40	130	55	130	95
ISO100X50	100/50	130	75	130	111
ISO160X40	160/40	180	55	160	121
ISO160X50	160/50	180	75	160	136

