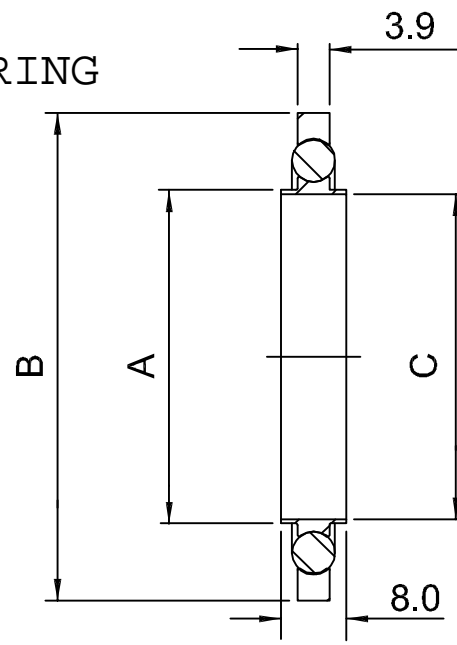


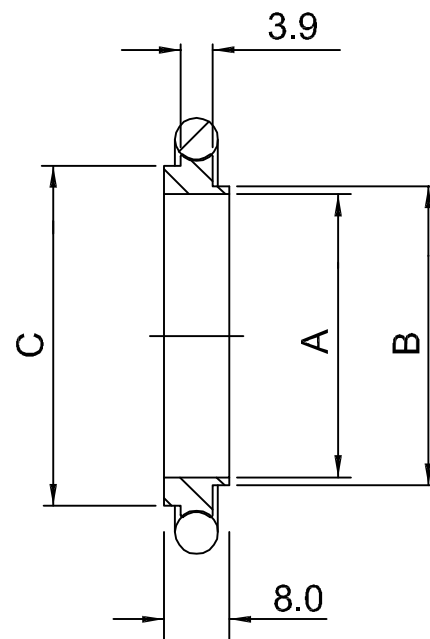
KF CENTERING TRAPPED RINGS & VITON O'RING

ORDER CODE	NW	A	B	C
KF16TCRV	16	17	31.5	16
KF25TCRV	25	26	41.5	25
KF40TCRV	40	41	56.5	40
KF50TCRV	50	52	77.5	50



KF REDUCING CENTERING RINGS STAINLESS STEEL, VITON O'RING

ORDER CODE	NW	A	B	C
KF10/16VRCR	10/16	10	12	17
KF20/25VRCR	20/25	20	22	26
KF32/40VRCR	32/40	32	34	41



KF ALUMINIUM CLAMPS

ORDER CODE	NW	A	B	C
KF16C	10/16	62	45	16
KF25C	20/25	72	55	16
KF40C	32/40	90	70	17
KF50C	50	113	90	20

